

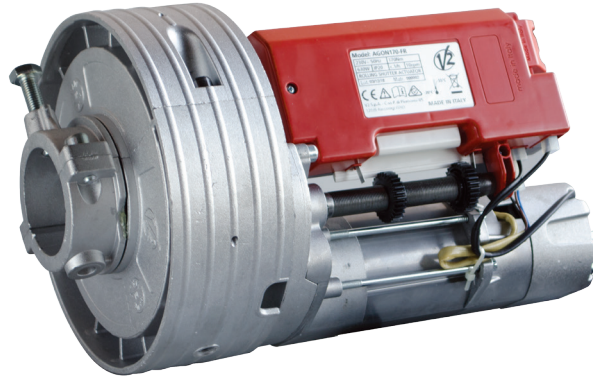


agon

230V irreversible electromechanical actuator

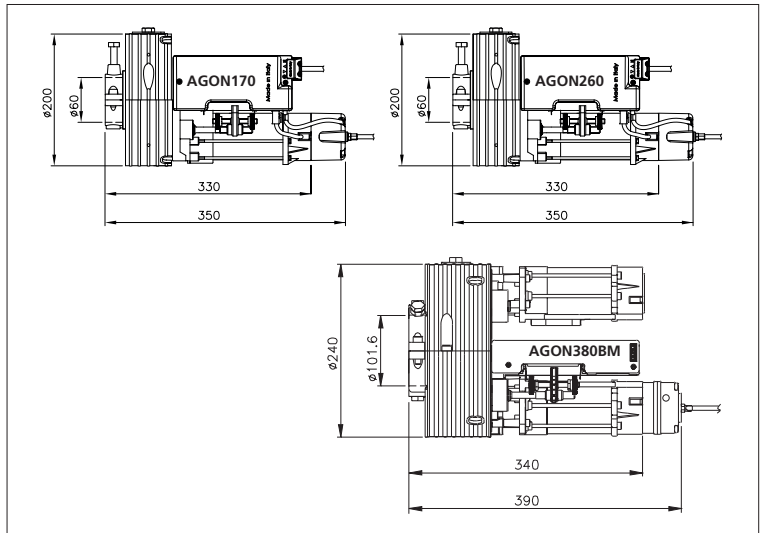
for shutters weighing
170 to 380 Kg

Available in two versions
with or without electro-brake



PLUS

- Wires protected by special plastic container
- External limit switch unit easily accessible
- Pre-wired condenser
- Simple, intuitive limit switch adjustment
- Shaft adapter Ø 48 and crown Ø 220 included (170-260 models)
- Shaft adapter Ø 76 included (models 380)



TECHNICAL FEATURES

Description	170 Kg	170 Kg electro-brake	260 Kg	260 Kg electro-brake	380 Kg	380 Kg electro-brake
MODEL	AGON170	AGON170-FR	AGON260	AGON260-FR	AGON380	AGON380-FR
CODE	26A021	26A022	26A023	26A024	26B024	26B025
Power supply (Vac - Hz)	230 - 50	230 - 50	230 - 50	230 - 50	230 - 50	230 - 50
Absorbed current (A)	2,7	2,7	2,9	2,9	5,8	5,8
Maximum electric power (W)	630	630	670	670	1330	1330
Lifting power (Kg)	170	170	260	260	380	380
Torque (Nm)	170	170	260	260	450	430
Motor crown speed (rpm)	10	10	10	10	8	8
Rolling shutter shaft Ø (B) (mm)	60/48	60/48	60/48	60/48	101/76	101/76
Motor crown Ø (A) (mm)	200/220	200/220	200/220	200/220	240	240
Motor weight (Kg)	7	8	8	9	17	18
Working temperature (°C)	-20 ÷ +55	-20 ÷ +55	-20 ÷ +55	-20 ÷ +55	-20 ÷ +55	-20 ÷ +55
Shutter maximum height (m)	7	7	7	7	7	7

CONTROL UNITS TO BE USED



EASY-TOP	EASY-BASIC
Digital control unit for 230V motors	Analogue control unit for 230V motors

ACCESSORIES



162645	162646	162647
Wall-mounted aluminum key selector with electro-brake release	Aluminum key selector with control button and electro-brake release lever	Aluminum key selector with tubular lock, control button and electro-brake release



162633	162634	162635	162636
Electro-brake for AGON170 motors	Electro-brake for AGON260 and AGON380 motors	Ø 33 axle adapter for AGON170 and AGON260 motors	Ø 42 axle adapter for AGON170 and AGON260 motors



162650	162649
Ø 76 axle adapter for AGON380 motors	Ø 90 axle adapter for AGON380 motors